

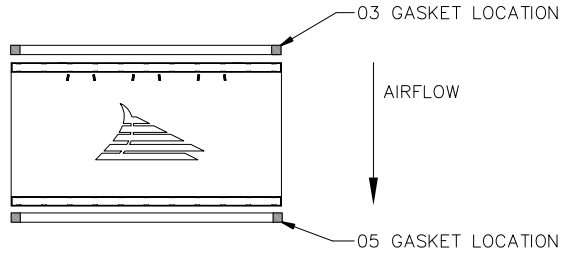
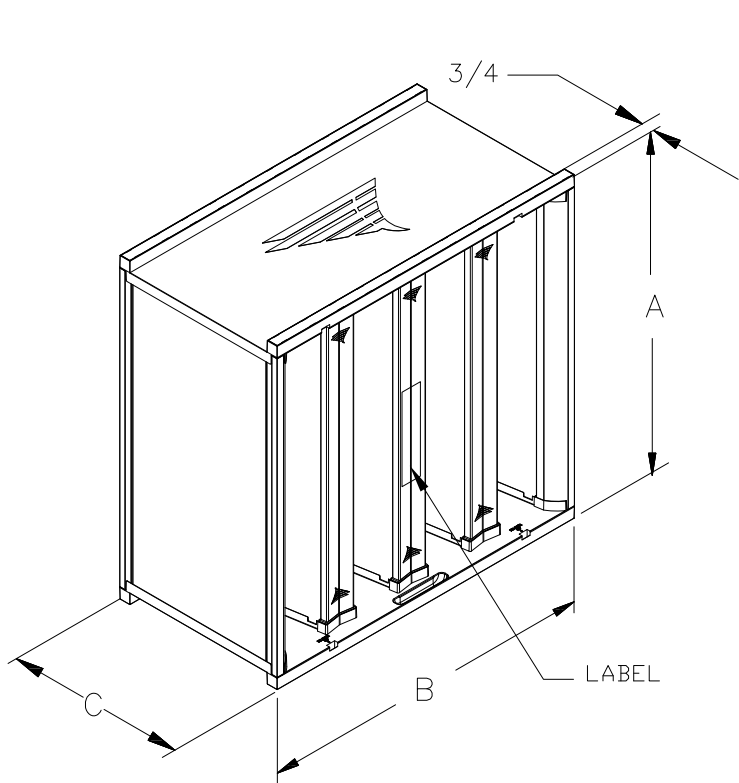
| ✓ | NOMINAL SIZE (in inches) | DIMENSIONS (in inches) A x B x C | AIR FLOW (CFM) RATED | WEIGHT (LBS) |
|---|-----------------------------|--|----------------------------|-----------------|
| | 12 x 24 | 11-3/8 x 23-3/8 x 12-3/8 | 1000 | 9.0 |
| | 20 x 24 | 19-3/8 x 23-3/8 x 12-3/8 | 1500 | 15.0 |
| | 24 x 24 | 23-3/8 x 23-3/8 x 12-3/8 | 2000 | 18.0 |

NOTES:

- MEDIUM EFFICIENCY, MERV 11-16 MINI PLEAT V-BANK DISPOSABLE FILTER. EFFICIENCY IS TESTED IN ACCORDANCE WITH ASHRAE 52.2-(LATEST REV).
- AVAILABLE SIZES (NOMINAL) AND EFFICIENCIES: SEE TABULATION BLOCK.
- SEE CAMFIL FARR BULLETIN 1515B-(LATEST REV.) AND PRODUCT RTF SPECIFICATIONS FOR OTHER FEATURES, CONSTRUCTION AND PERFORMANCE CHARACTERISTICS.
- FRAME TOLERANCES:
LENGTHS: +0.000/-0.063"
DIAGONALS: WITHIN 1/4" TOTAL ALLOWANCE FOR DIAGONALS > 30"
WITHIN 1/8" TOTAL ALLOWANCE FOR DIAGONALS < 30"


PERFORMANCE NOTES:

- SEE TABULATION BLOCK FOR AIRFLOW CAPACITY.
- FOR FILTER SIDE ACCESS INSTALLATION, SEE BULLETIN C-1306-1B.



* OPTIONS ADDED TO MODEL AS FOLLOWS:

- DU4V-ESB-2424-MV14-_____
- NO GASKET (00)
 - PERIMETER GASKET (03)
 - PERIMETER GASKET (05)

| CUSTOMER APPROVAL BLOCK | | | |  http://www.camfilfarr.com | |
|---|--|--|--|--|--|
| YOUR APPROVAL OF THIS PRINT AUTHORIZES CAMFIL FARR TO PROCEED WITH MATERIAL PROCUREMENT, TOOLING AND PRODUCT FABRICATION. ANY CHANGES MADE AFTER APPROVAL MAY INCUR FURTHER EXPENSES TO THE CUSTOMER. | | | | ©Camfil Farr DESCRIPTION DURAFIL ASHRAE GRADE FILTER MERV 11, MERV 13, MERV 14 & MERV 16 DU4V ESB | |
| <input type="checkbox"/> OK AS IS | | <input type="checkbox"/> SEND REVISED DWG. | | SHEET 1 of 1 | |
| SIGNATURE/DATE APPROVED BY: SM DATE: 5/27/09 | | DRAWN BY: JC DATE: 5/27/09 | | DRAWING NUMBER SDU00009 | |
| | | | | REV. B | |